

Project: RPB 1

Date:
25.10.21

Designed by:
Sylwester Duczmański

Manufacturer: FST-Automatyka Sp. z o.o.
St. Rumuńska 1C
91-336 Łódź
Poland

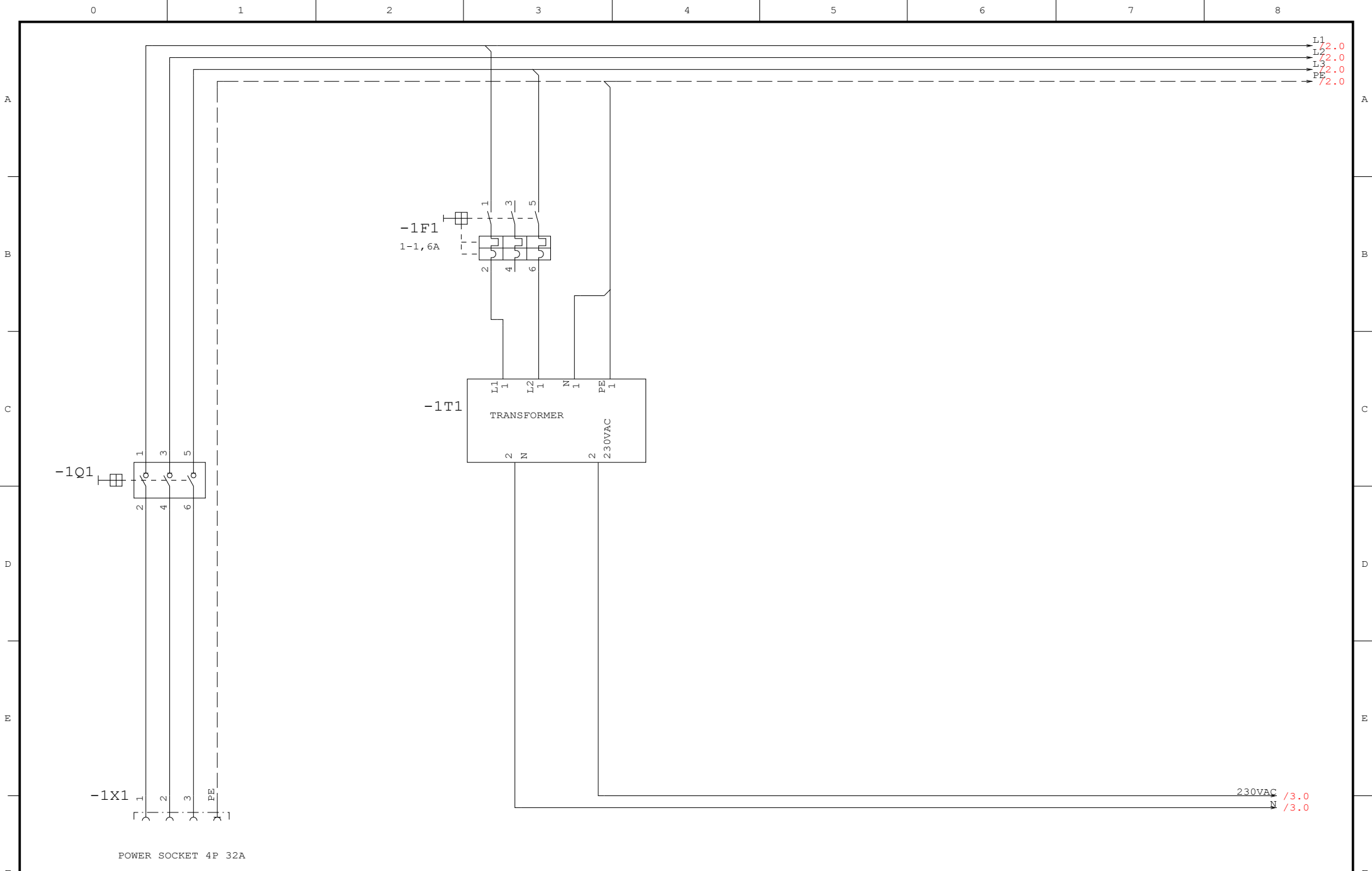
Technical data:

Wire colors:

Rated Voltage	V	Ph	Hz
Receiver voltage 1	400	3	50
Receiver voltage 2	230	1	50
Receiver voltage 3	24	-	DC
Control voltage	24	-	DC



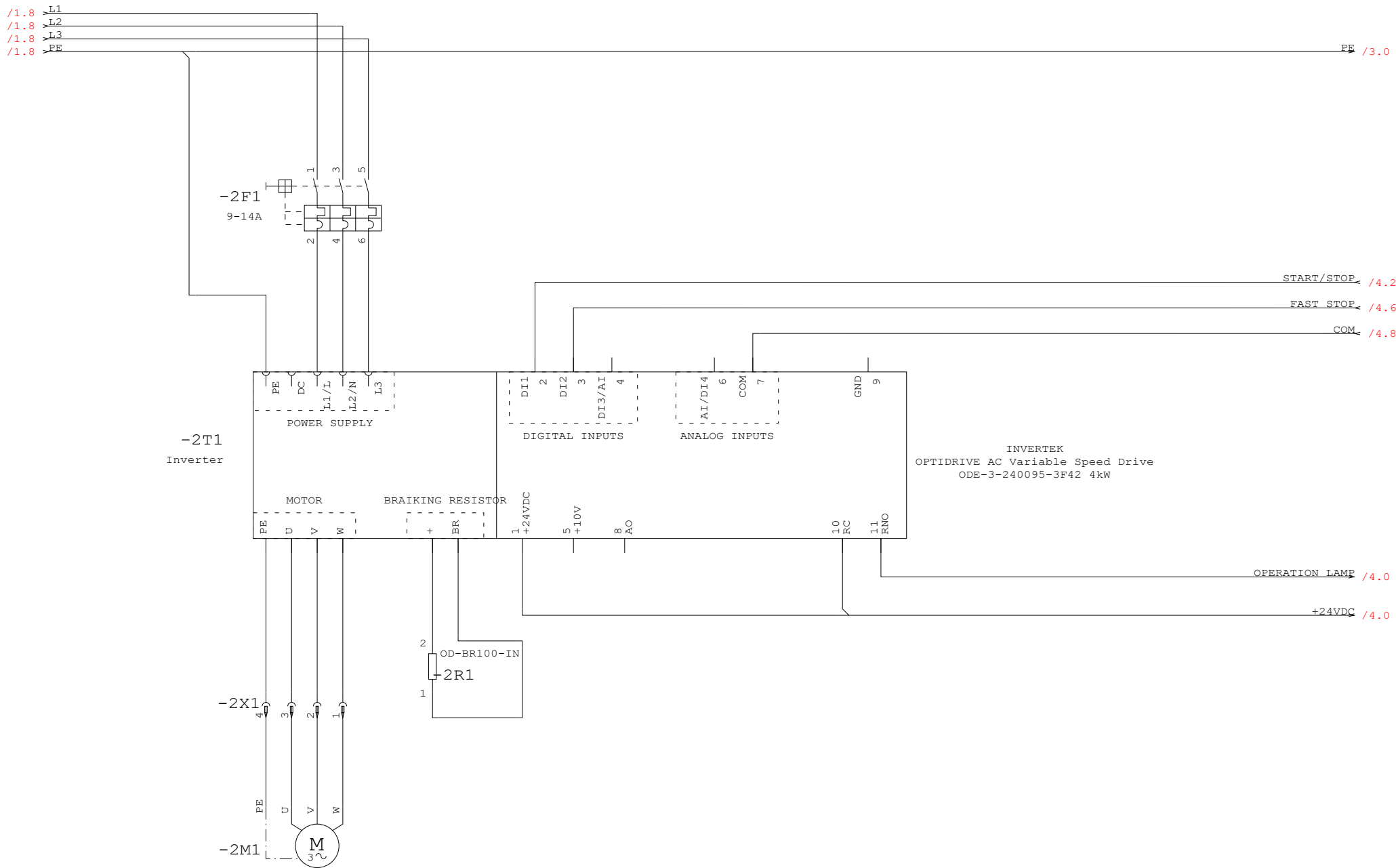
400V AC	Black
230V AC	Brown
N	Blue
PE	Yellow-green
24V DC	Red
0V DC	Black
Digital signal	Red



L1 /2.0
 L2 /2.0
 L3 /2.0
 PE /2.0

230VAC /3.0
 N /3.0

RPB 2	Date	25.10.21				Device	=
	Devel.					Place	+
	Check.					Sheet	1
Project name	Project		Made for	Made by		of	4



RPB 2

Date 25.10.21
 Devel.
 Check.

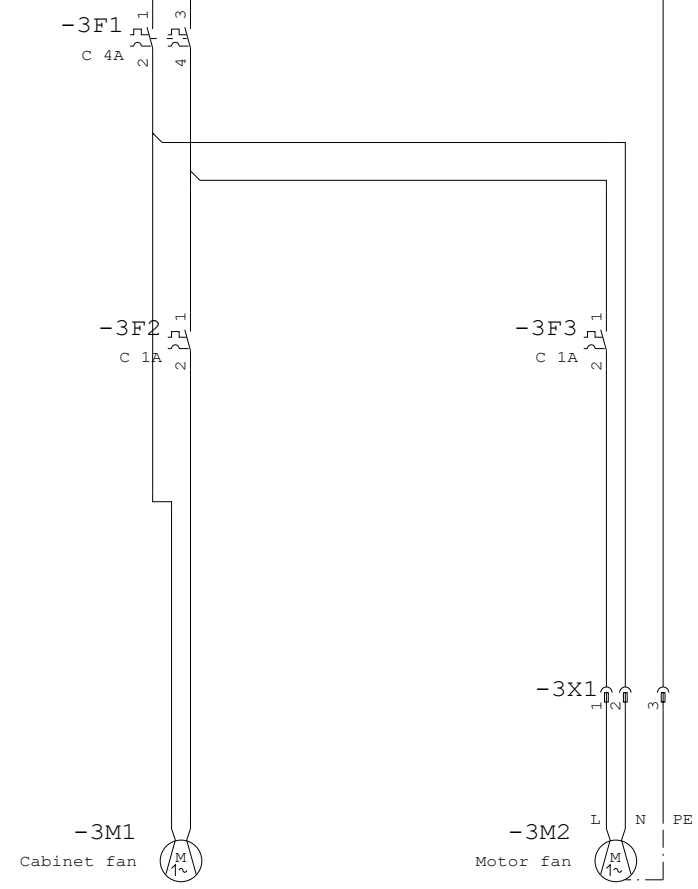



Device	=
Place	+
Sheet	2
of	4

Project name	Project	Made for	Made by
--------------	---------	----------	---------

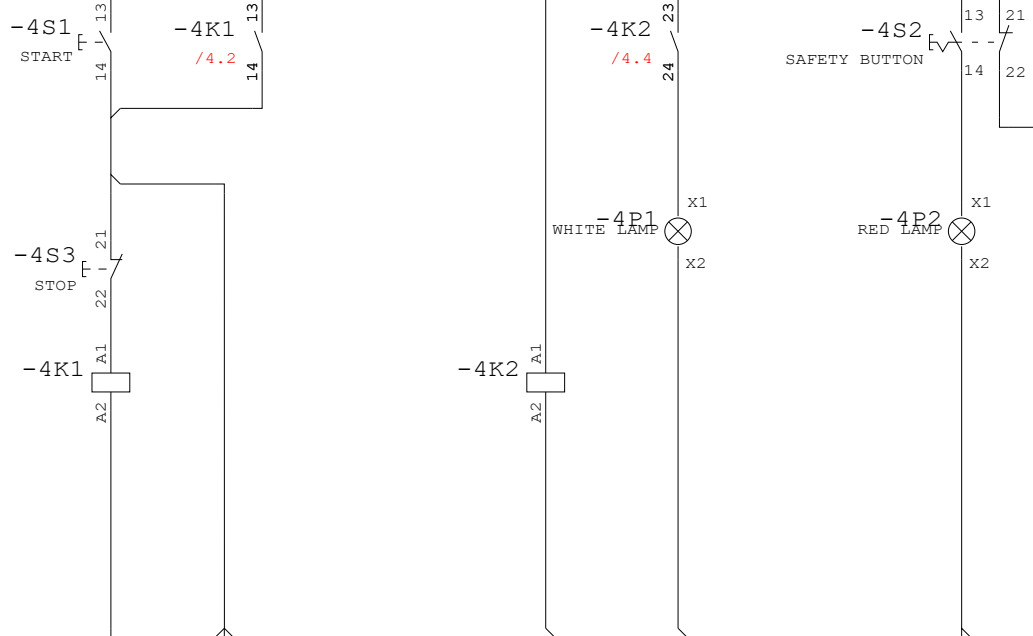
/1.8 230VAC
 /1.8 N
 /2.8 PE

230VAC
 N
 PE



RPB 2	Date	25.10.21				Device	=
	Devel.					Place	+
	Check.					Sheet	3
Project name	Project		Made for	Made by		of	4

/2.8 +24VDC
 /2.8 OPERATION LAMP



/2.8 START/STOP

/2.8 FAST_STOP

RPB 2

Date 25.10.21
 Devel.
 Check.



Device	=
Place	+
Sheet	4
of	4

Project name

Project

Made for

Made by